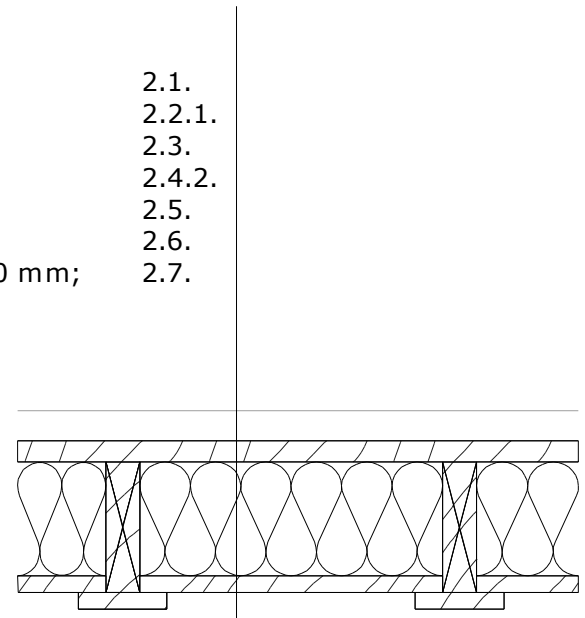


- 2.1. Floor skirting 19 x 40 mm;
  - 2.2.1. Floor board 28 x 95 mm;
  - 2.3. Wind barrier (paper);
  - 2.4.2. Floor beam 45 x 145 mm;
  - 2.5. Insulation 150 mm;
  - 2.6. Wind barrier (paper);
  - 2.7. Insulation carrying board 22 x 100 mm;
- Post foundation



2.8. Bitumen paper

**Floor on the post foundation**

Position: 2

Scale: 1 : 10