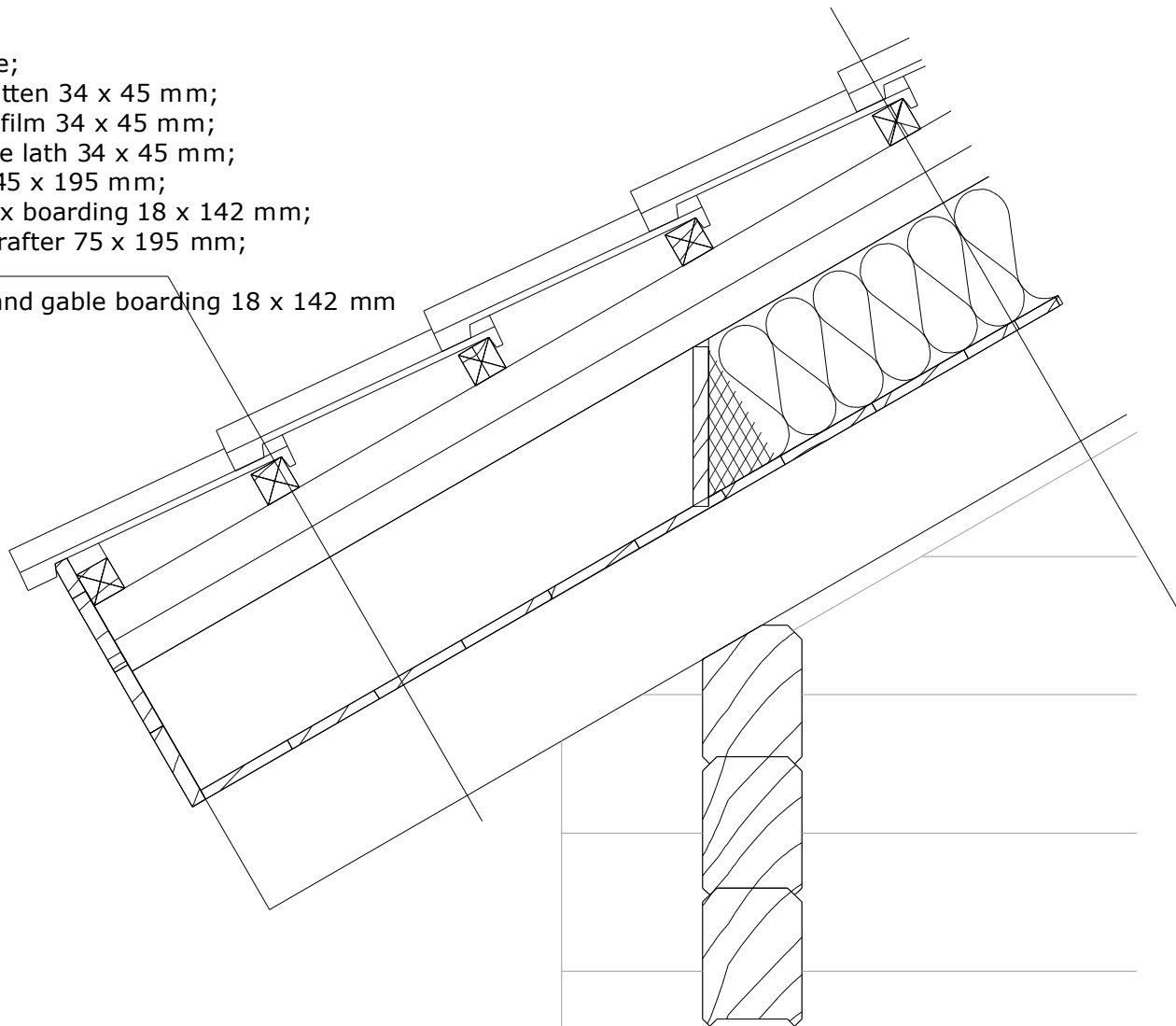


- 4.1. Roof tile;
- 4.2.1. Roof batten 34 x 45 mm;
- 4.3. Lath of film 34 x 45 mm;
- 4.5. Distance lath 34 x 45 mm;
- 4.9.1. Rafter 45 x 195 mm;
- 4.15. Windbox boarding 18 x 142 mm;
- 4.9.2. Visible rafter 75 x 195 mm;
- 4.14. Eaves and gable boarding 18 x 142 mm



- 4.1. Roof tiles;
- 4.2.1. Roof batten 34 x 45 mm;
- 4.3. Lath of film 34 x 45 mm;
- 4.4. Film;
- 4.5. Distance lath 34 x 45 mm;
- 4.6.1. Wind barrier (paper)
- 4.9.1. Rafter 45 x 195 mm;
- 4.10. Insulation 200 mm;
- 4.11. Moisture/air barrier;
- 4.12.1. Ceiling panelling 15 x 120 mm;
- 4.13. Ceiling skirting 19 x 40 mm;
- 4.9.2. Visible rafter 75 x 195 mm;
- 4.9.4. Top beam;
- 4.9.5. Purlin 140 x 400 mm

**Slate roof - exclusive**

Position:

4

Scale:

1 : 10