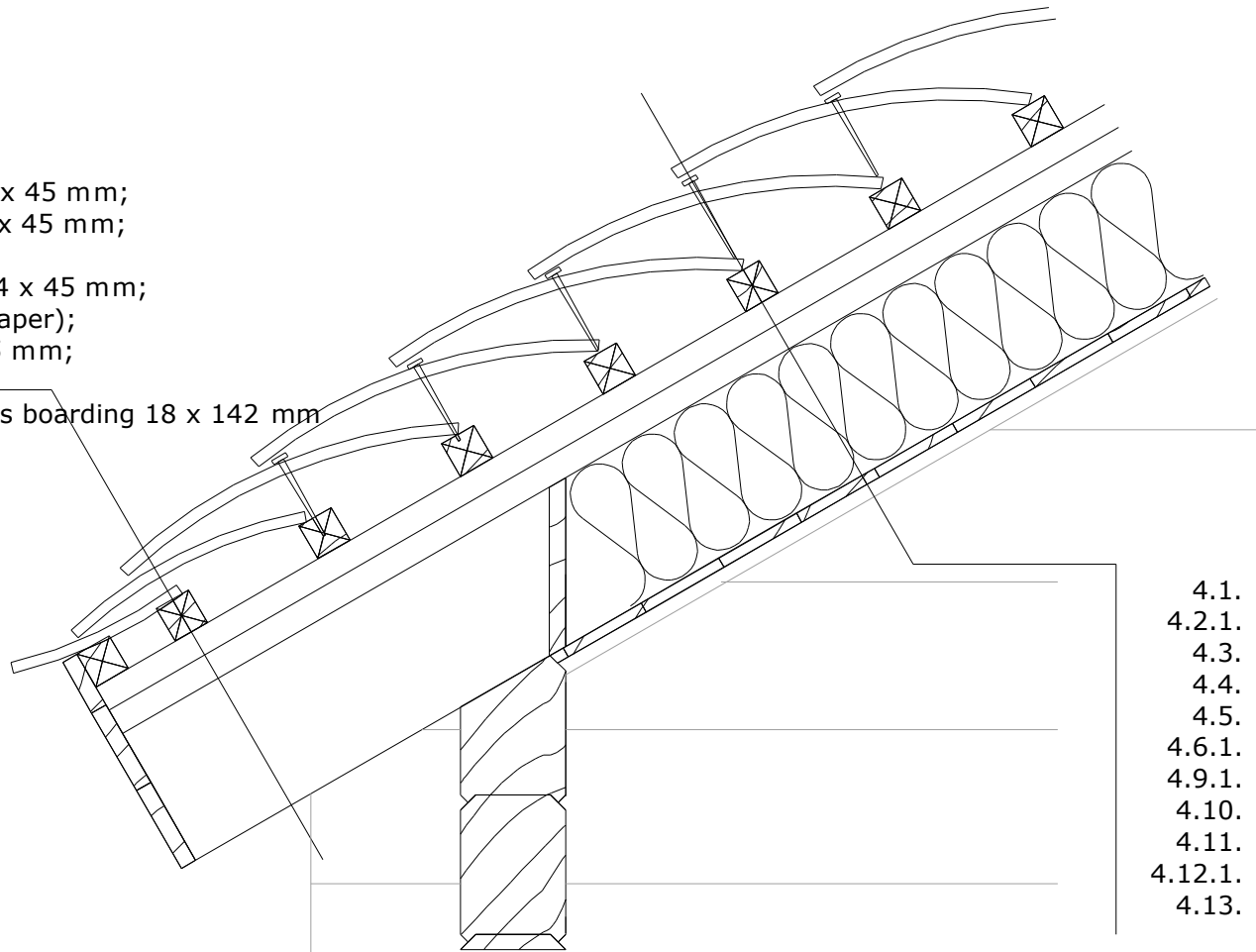


- 4.1. Wood-shingle;
- 4.2.1. Roof batten 34 x 45 mm;
- 4.3. Lath of film 34 x 45 mm;
- 4.4. Film;
- 4.5. Distance lath 34 x 45 mm;
- 4.6.1. Wind barrier (paper);
- 4.9.1. Rafter 45 x 195 mm;
- 4.14. Gable and eaves boarding 18 x 142 mm



- 4.1. Wood-shingle;
- 4.2.1. Roof batten 34 x 45 mm;
- 4.3. Lath of film 34 x 45 mm;
- 4.4. Film;
- 4.5. Distance lath 34 x 45 mm;
- 4.6.1. Wind barrier (paper);
- 4.9.1. Rafter 45 x 195 mm;
- 4.10. Insulation 200 mm;
- 4.11. Moisture/air barrier;
- 4.12.1. Ceiling panelling 15 x 120 mm;
- 4.13. Ceiling skirting 19 x 40 mm

In case of this rooftype the minimum roof angle is 26 degrees

<b>Wood-shingle roof</b>	
Position:	4
Scale:	1 : 10